

RC05B-WIFI Instruction

Description:

1. It can control all AC12V input LED light which is produced in hentech company.
2. It also can be used for controlling all AC12V electric appliances.
3. It is designed for the use of outdoor, so the controller is well for waterproof. It is no problem if you want to use the controller indoor.
4. It can be fixed anywhere as you want. Of course, it will work better if you place it far away from electromagnetism disturb.

Basic Parameter for RC05

Pack Volume:	135mm×135mm×45mm
Weight:	1.1KG
Work temperature:	-40°C ~ +70°C
Work humidity:	10% ~ 90% RH
Control Distance:	100M

Electric Parameter

Input Voltage:	AC220V
Output Voltage:	AC12V
Output Current:	0.5A-5.8A(according to the total LED lights you use)
Dynamic Current:	According to your loads (standard:0.5A)
Quiescent Current:	< 6mA
RF Sensitivity(dBm)	-112
Provide Power:	≤70VA



Fig1: finished product

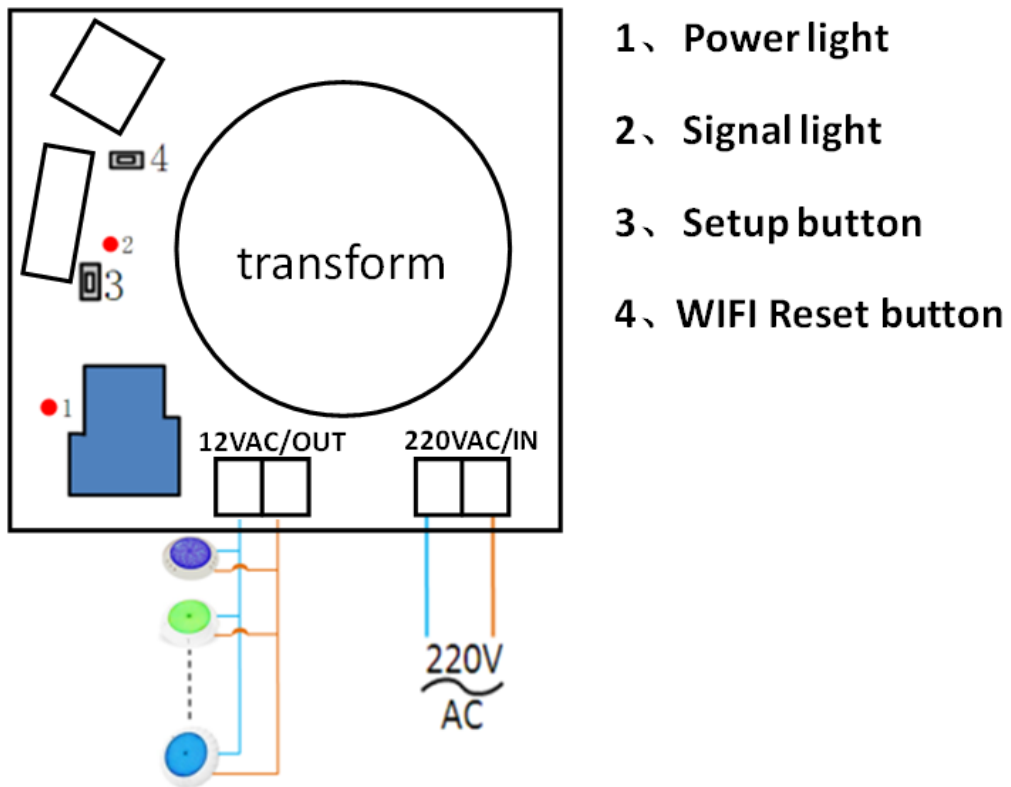


Fig2 wiring of RC05

OPERATION

I. Operate with a smart phone

When the controller is powered on, the lights will stay with the previous program. The lights will also keep the previous status of On / Off. You can always turn on the lights by pressing the button on the controller and holding for 5 seconds.

Turn on the WiFi on your mobile phone, search and connect the device named "POOL LIGHT" (password: 12345678). After connected, open the Web Browser on your phone and input the URL <http://1.1.1.1/tool.html>. On that page you can configure the controller. You can input a SSID and password for the controller when it works as an AP. You can also input the SSID and password of the WiFi router which the controller will connect to.

Hentech

Setting

Input information and configure the device.

Config Upload

Controller Name:
Set the new name and password for the Controller.
Controller Password:

Router Name:
Information of the WIFI router for the Controller to connect.
Router Password:

Confirm

Once you configure the SSID and password for the WiFi router, you can see the IP address of the controller assigned by the router, by clicking the menu.

The STAIP is the IP address assigned by the router.

Hentech

Setting

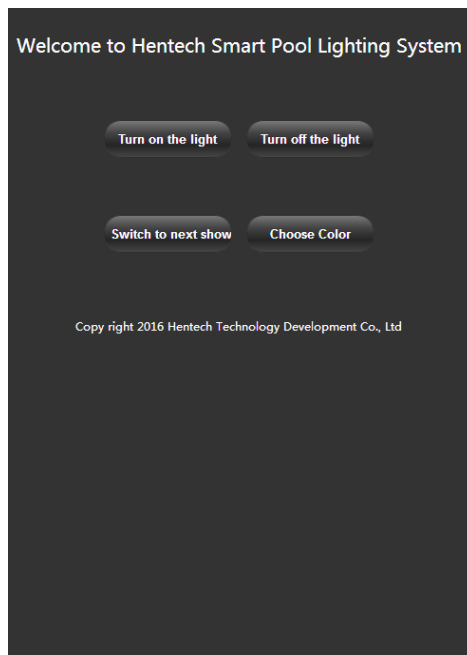
Input information and configure the device.

Config Upload

Hentech

APIP: 1.1.1.1
STAIP: 192.168.0.169
RSSI: -79
Ver: 2.0.0(656edbf)
切换中文

You can input <http://1.1.1.1> in the web browser to reach the controlling page at any time. If the controller is connected to a WiFi router, you can also input the STAIP (for example <http://192.168.0.169>) in the web browser to reach the controlling page.



On the controlling page, you can press “Turn off the light” to turn off the lights, and press “Turn on the light” to turn on the lights. Press “Switch to next show” to switch to next program of the lights. Press “Choose Color” to select a program you want, and wait for some seconds before the lights switch to that program.

II. Operate with remote emitter

Button operation:

Button 1: switch to the next color program

Button 2: turns the lamps ON/OFF.



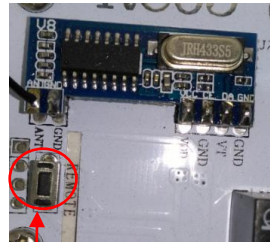
MAINTENANCE

FUSE: In case the lamps suddenly stop working, check incoming and outgoing voltage. If there is 220V going into the transformer and no 12V coming out, check the fuse and replace if necessary. This is an indication that there was a spike in voltage that damaged the fuse.

SPARKING: In case of sparking and/or blackness around the connection terminals, scrape off all soot, reconnect cables and tighten as much as possible.

REMOTE: In case the remote control stops working or is replaced, there is a small button on the remote module inside the transformer, press this button for 1 second, and then immediately press one of the 4 buttons on the remote to pair both devices.

The battery inside the remote may require replacement.



button

SAFETY WARNINGS

The persons who are in charge of installation should have the required qualifications for this type of work.

Avoid making contact with the electric voltage.

Comply with the current standards regarding accident prevention.

IEC 364-7-702 standards must be observed: WIRING IN BUILDINGS, SPECIAL WIRING, SWIMMING POOLS.

Any maintenance works must be performed with the 220V incoming wire disconnected or switched off at the main supply.

Do not handle any electrical components with wet feet.